



NANO 180

HALF MOON BIOTOPE

OWNER'S MANUAL



8 GALLON

TRANSWORLD AQUATIC ENTERPRISES INC.

NANO 180

TABLE OF CONTENTS	
Important Safety Instructions	3—5
8 Gallon Exploded View Parts	6—7
Introduction	8—10
Getting Started	11—12
Lighting	13
Maintenance Procedures	14-15
Maintenance Log	16-17
Notes	18-19

Important Safety Instructions

WARNING

To guard against injury, basic safety precautions should be observed, including the following:

READ ALL SAFETY INSTRUCTIONS BEFORE USE.

DANGER

To avoid possible electric shock, special care should be taken since water is employed in the use of aquarium equipment. For each of the following situations, do not attempt to repair yourself: return the appliance to an authorized service facility for service or discard the appliance.

- A. If the appliance falls into water, DON'T reach for it! First unplug it and then retrieve it. If the electrical components of the appliance get wet, unplug the appliance immediately.
- B. Carefully examine the appliance after installation. It should not be plugged in if there is water on parts not intended to be wet.
- C. Do not operate any appliance if it has a damaged cord or plug, or if it is malfunctioning or if it is dropped or damaged in any manner.
- D. To avoid the possibility of the appliance plug or receptacle getting wet, position aquarium stand and tank to one side of a wall mounted receptacle to prevent water from dripping onto the receptacle or plug. A "drip loop", should be arranged by the user for each cord connecting an aquarium appliance to a receptacle. The "drip loop" is that part of the cord below the level of the receptacle or the connector if an extension cord is used, to prevent water travel along the cord and coming in contact with the receptacle.



Important Safety Instructions

D. (Continued from pg 3)

If the plug or the receptacle do get wet, DON'T unplug the cord. Disconnect the fuse to the circuit breaker that supplies power to the appliance. Then unplug and examine for the presence of water in the receptacle.

E. Close supervision is necessary when any appliance is used by or near children.

F. To avoid injury, do not contact moving parts or hot parts such as heaters, reflectors, lamp bulbs, and etc.

G. Always unplug an appliance from the outlet when not in use, before putting on or taking off parts, and before cleaning. Never yank the cord to pull plug from the outlet. Grasp the plug and pull to disconnect

H. Do not use an appliance for other than intended use. The use of attachments not recommended or sold by the appliance manufacturer may cause an unsafe condition.

I. Do not install or store the appliance where it will be exposed to the weather or to temperatures below freezing.

J. Make sure an appliance mounted on a tank is securely installed before operating it.

K. Read and observe all the important notices on the appliance.

L. This Appliance has a polarized plug (one blade is wider than the other). As a safety feature, this plug will fit in a polarized outlet only one way. If the plug does not fit fully in the outlet, reverse the plug. If it still does not fit, contact a qualified electrician. Never use with an extension cord unless plug can be fully inserted. Do not attempt to defeat this safety feature.

M. This appliance is intended FOR HOUSEHOLD USE ONLY.

Do not use or mount this appliance in such a way that the top vents are restricted or blocked. These vents are necessary to avoid over-heating and insure safe operating temperature.

Important Safety Instructions

O. Make sure that the appliance is set on a level surface to prevent undue stress on the aquarium tank from stress and leaks. It is not recommended that this appliance is set upon coffee tables, end tables, T.V. stands, or night stands unless the structure has been properly tested to within the weight limits of the aquarium.

CLEANING

It is important to keep this hood appliance clean. Always unplug the appliance before performing maintenance or cleaning of the exterior of this hood. Wipe exposed surfaces carefully with a damp terrycloth to remove any dust or mineral deposits which may collect over time. Make sure all surfaces are dry before re-plugging into an electrical outlet. To prevent scratching the aquarium, use a damp terrycloth when cleaning. Never use algae scrapers, scouring pads, razor blades, glass cleaner or other such abrasives.

SERVICING

In order to assure proper electrical connections and polarity, replacement parts and servicing should be performed only by a qualified electrician.

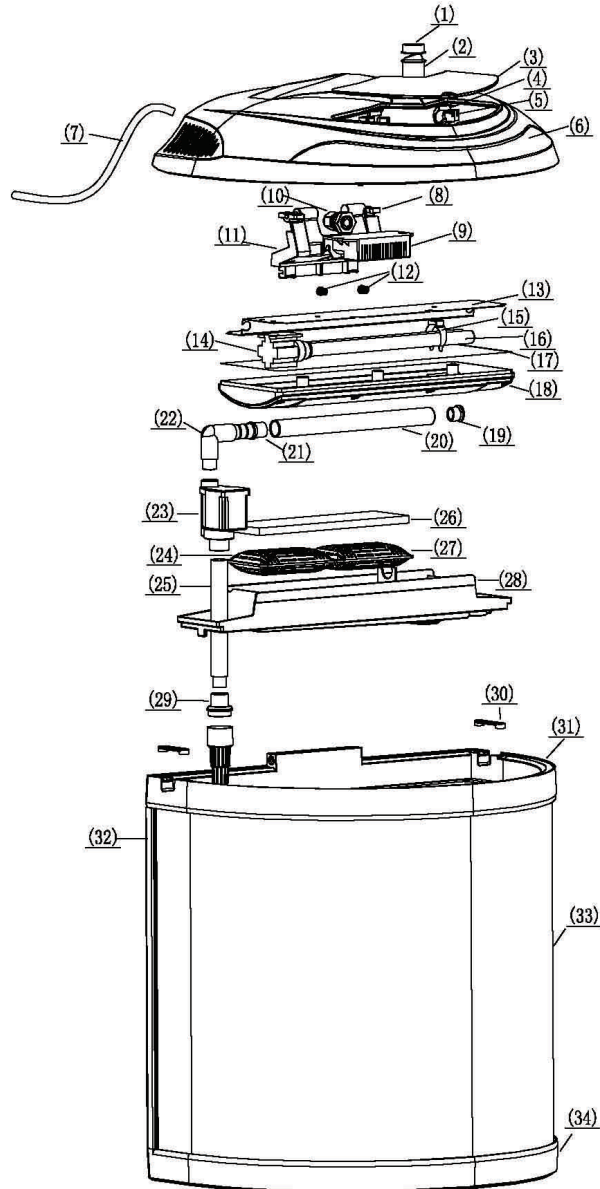
OPERATION

Please carefully read the entire "Owner's Manual" for proper operation procedures before proceeding with turning on this appliance and adding livestock such as fish, corals, and invertebrates.

SAVE THESE INSTRUCTIONS

PARTS EXPLODED VIEW & IDENTIFICATION

8g NANO 180°



Description

PART	#	Name
MT-302-	1	Power Switch—Moisture Proof Cover
MT-302-	2	Power Switch
MT-302-	3	Feeding Lid
MT-302-	4	Feeding Lid—Screw
MT-302-	5	Feeding Lid—Hinge
MT-302-	6	Canopy Shell
MT-302-	7	Power Cord—Lighting
MT-302-	8	Mounting Bracket—Hinge
MT-302-	9	Electronic Ballast
MT-302-	10	Grommet—Power Cord
MT-302-	11	Mounting Bracket Assembly
MT-302-	12	Mounting Bracket—Screws
MT-302-	13	Reflector
MT-302-	14	Lamp—Socket Holder
MT-302-	15	Lamp—Clip
MT-302-	16	11 Watt Lamp
MT-302-	17	Splash Guard—O-ring
MT-302-	18	Splash Guard
MT-302-	19	Spray Bar Cap
MT-302-	20	Spray Bar
MT-302-	21	Pump Elbow—O-Ring
MT-302-	22	Pump Elbow
MT-302-	23	Pump Motor
MT-302-	24	Activated Carbon Basket
MT-302-	25	Connector Tube
MT-302-	26	Fine Filter Floss
MT-302-	27	Ceramic Ring Basket
MT-302-	28	Filter Housing
MT-302-	29	Coupling
MT-302-	30	Power cord Holder
MT-302-	31	Aquarium Frame—Top
MT-302-	32	Aquarium Frame—Side
MT-302-	33	Glass Tank
MT-302-	34	Aquarium Frame—Bottom



CREATING THE ULTIMATE "NANO" EXPERIENCE

Thank you for purchasing the plug-n-play 8 gallon Nano-180° Aquarium. This beautiful glass aquarium offers 180 degrees of panoramic viewing with a flat back for space confining areas. This aquarium kit includes an integrated 3-stage top filter with mechanical filter floss, activated carbon basket, ceramic ring basket, designated heater slot, and integrated pump (77 gph) that turns the aquarium over 9x an hour for a sparkling clean showroom display.

JBJ ILLUMINATION SYSTEM

Your Nano 180° is installed with an integrated electronic illumination system that is the key to a successful biotope while providing a brilliant color appearance to enhance the natural colors of fish and live plants.



All models include a polished mirror reflector with (1) 11 watt daylight compact fluorescent lamp that produce 3 times more light output than traditional fluorescent lamps. Our daylight lighting system utilizes an energy saving electronic ballast for flicker-free instant starts and low heat production.

CRYSTAL CLEAR CURVED GLASS

The Nano 180° Aquarium offers panoramic viewing with seamless curved glass for maximum viewing and enjoyment.

UNIQUE 3-STAGE TOP FILTRATION

The Nano 180° offers an innovative 3-Stage filtration system that is above the water line to maximize internal space for livestock and decorations.

You can easily perform filter changes within seconds with virtually no water contact.

Water is pumped into an adjustable spray bar and is directed over our mechanical fine filter floss to pick up debris and free floating matter.

The filtered water then drips over and through 2 media baskets that contain activated carbon and our biological ceramic rings.

Both media baskets are placed directly underneath the filter floss.

Note: Activated Carbon should be changed monthly. Ceramic rings should not be changed as they house beneficial bacteria that keeps the water stabilized.

A designated heater slot is also included on the far right of the top filter. Just insert heater for a clutter free set up.



1. Mechanical Filtration:

Fine Filter Floss traps free floating particulate matter and debris.

2. Chemical Filtration:

Activated Carbon basket removes dissolved organics and odor.

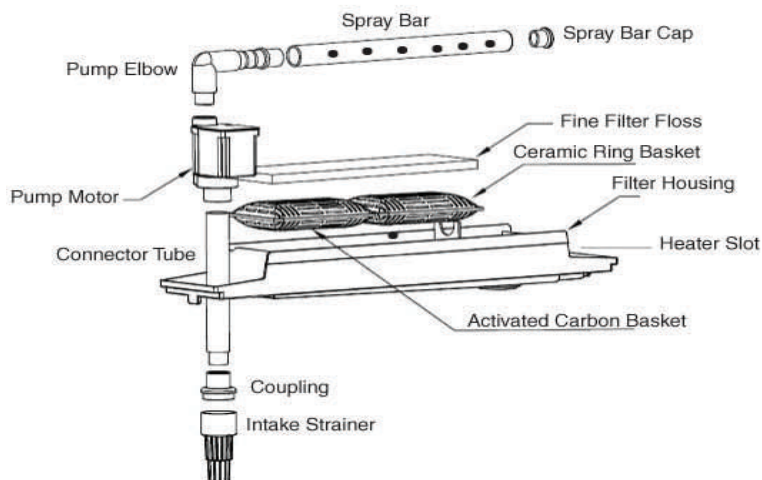
3. Biological Filtration:

Ceramic Ring basket provides internal/external surface area for housing beneficial bacteria to oxidize harmful ammonia and nitrite that accumulate in the aquarium from fish wastes, overfeeding, and normal biological processes.

4. Integrated Pump:

Included with connector tubing and strainer.

Pump: Provides 77 gallons per hour



SPECIFICATIONS:

Model: 8g—Nano 180°

Item No: MT-302

Lighting: 11 Watt Daylight
Compact Fluorescent Lamp

Dims: 15.03"x10.12"x18.62"

Stand Dims: 15.03"x10.12"x28"

Flow: 77 gph

Lift: 1.65 feet

Power: 115V/60Hz

Ballast: UL Listed Electronic

NANO 180 **Getting Started**

HANDLING PRECAUTIONS

Never attempt to move a full or partially full Nano-180° tank.
Never lift by grabbing the aquarium frame
Never use cleaners that contain ammonia to clean the glass surfaces.
Always lift and carry the Nano 180° from underneath giving support to the bottom at all times.

CHOOSING A LOCATION

A. With a Nano 180° Stand

1. Find a leveled surface and place Nano 180° on top of stand before filling with water. Make sure that no part of the tank is overhanging the stand.

B. Without a Nano 180° Stand

1. Find a leveled surface that can support the weight of the tank, water, and livestock. An average aquarium can weigh 10lbs per gallon once filled with water, rock, gravel, and other accessories.
2. Do not place in direct sunlight to prevent excessive algae growth and higher water temperatures.



NANO 180 **Getting Started**

FILLING THE TANK

1. Always dechlorinate tap water before adding into the aquarium.
2. Always fill with room temperature water.
3. Rinse Activated Carbon basket which is located underneath the white filter floss under the sink for 30 seconds or until water runs clear.
4. Connect the strainer into the tube connector and insert into the underside of the pump.
5. Fill the main body of the Nano 180° until water fills up just under the aquarium frame.
6. Adjust the spray bar by turning the bar so the holes face towards the filter floss.
7. Once the tank is filled, plug in pump power cord into an approved electrical outlet with a fuse or circuit breaker.
8. Insert a submersible heater into the heater slot and dial set temperature. (not included)

If you wish to keep tropical (warm water) fish you will need a submersible heater to maintain optimal water temperatures to simulate their natural environment. Most tropical fish will need a temperature range between 74-78 F for optimal living conditions.



FEED ME

Feeding lid grants easy access for daily feedings without having to raise the entire canopy lid. A moisture proof ON/OFF switch is conveniently located on top of the canopy for power control of the lighting system.



FLIP BACK

The patented hinge canopy easily flips back and stays open for routine maintenance. This allows for two Nano 180° aquariums to be set up back to back for an eye catching 360° presentation.

All canopy hoods contain an energy efficient 11 watt daylight (CF) lamp and UL Listed electronic ballast housed within an o-ring sealed splash guard.

Routine maintenance is simplified with a quick opening of the canopy lid with full access to the top filter, pump, and heater (not included).



NANO 180 Maintenance Procedures

SAFETY

Always disconnect the power supply from the wall outlet when performing lamp changes

CHANGING THE LAMP

Your Nano 180° is installed with the following:

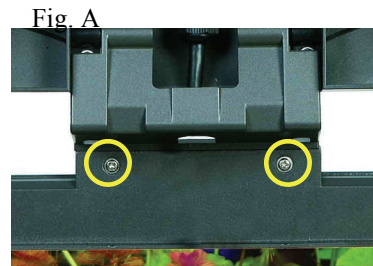
Model	Bulb Item #	Description	Kelvin
8G—NANO 180	B11-W10K	11 Watt Compact Fluorescent Lamp	Daylight 10,000K

We recommend replacing the lamp every 9-12 months due to a decline in intensity which is vital for live plants. Spectral shifts may also occur that may lead to undesirable algae growth.

Removing the Canopy Lid - 8g Model

Your canopy lid is fastened into the mounting bracket located towards the rear of the canopy.

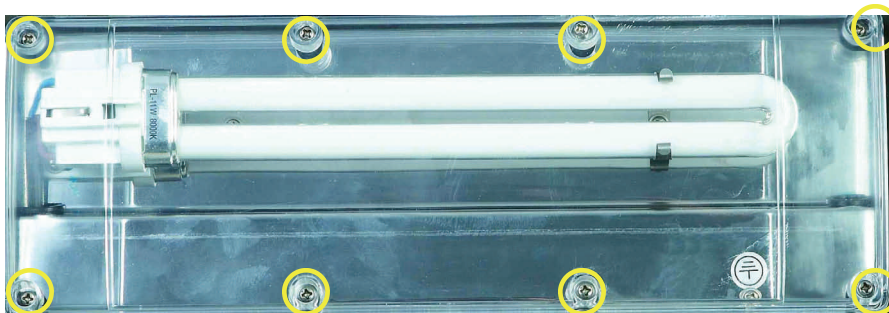
1. Turn off the filter pump and heater and lift out the top filter tray.
2. Unscrew the 2 screws with a Phillips screwdriver located in Fig. A
3. Lift up on canopy to slide out of the mounting bracket.



NANO 180 Maintenance Procedures

Removing the Clear Splashguard Cover

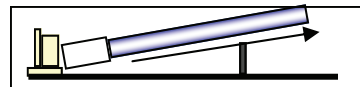
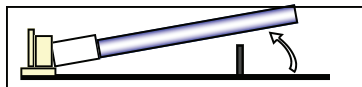
Place the canopy on a leveled flat surface and remove screws located on the perimeter of the splash guard with a Phillips Screwdriver by hand.



Remove the splash guard cover and o-ring and place aside.

Removing Lamp

Remove lamp from lamp clip and pull opposite direction from the ceramic lamp holder. The lamp will automatically “unsnap”. Re-install new lamp, you should hear a “snap” when lamp is securely locked into ceramic lamp holder



Customer Service Information

For additional information or technical assistance please call us at (310) 672-4099, M-F from 9AM-5PM (Pacific Standard Time).



Transworld Aquatic Ent., Inc

3730 West Century Blvd, Suite 3
Inglewood CA 90303

Phone: 310-672-0480
Fax: 310-672-7261
E-mail: sales@bjlighting.com